

SPECIFICATION SHEET

TEHNIČKI LIST

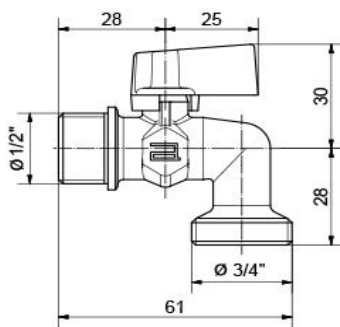


COLLECTION
SERIJA

STOLZ

PRODUCT CODE
ŠIFRA PROIZVODA

1590034



KARAKTERISTIKE

Rješenje JET-VALVE NO BALL
Voda se ne zadržava u komorama
Tijelo izrađeno u komadu
Jednostavno rukovanje
On-Off ventil
Kompaktan dizajn

Svi materijali u dodiru sa vodom su od mesinga CW617N
Gumeni zaptivači od NBR za kontakt sa hranom / FDA177.2600

RADNI USLOVI

Maksimalni radni pritisak: 10 bar
Preporučeni radni pritisak: 3 bar
Maksimalna dozvoljena temperatura: 70°C
Preporučena temperatura vode: 50°C

CHARACTERISTICS

JET-VALVE solution NO BALL
No water stays in chambers
Body made in of piece
Easy opertation
On-Off valve
Compact design

All parts in contact with water are made of brass CW617N
All seals made of NBR for food use / FD177.2600

WORKING CONDITIONS

Max. working pressure : 10 bar
Suggested working pressure : 3 bar
Max. working temperature : 70°C
Suggested max. water temperature : 50°C

email : info@rosan.rs
www.rosan.rs

